

6

Sinks and taps

Medical grade stainless steel sinks and HTM compliant tap sets

- Inset sink bowls
- Lay-on sink bowls
- Scrub sinks
- DUH Hospital disposal sinks



HTM medical grade sinks

HTM medical grade sinks

HTM Sink bowls are supplied in Grade 304 Stainless Steel with satin polish finish. All bowls are supplied without an overflow as standard to help with Infection Prevention requirements. Grade 316 Stainless Steel sink bowls for additional chemical resistance are available to order at additional cost.

Inset bowls



Inset bowls are supplied with a small raised rim around the top of the bowl that seals down to the worksurface and can be used with all worktop materials.

Code	Type	Size
SA213830	Small	380 x 300 x 180mm
SA214235	Medium	420 x 350 x 180mm
SA215638	Large	500 x 400 x 250mm
F2068	38mm flush grated waste	

Inset undermounted



Undermounted sink bowls are mainly used with solid core tops like Trespa or Granite and are supplied with a flat top flange for fitting to the underside of a worktop.

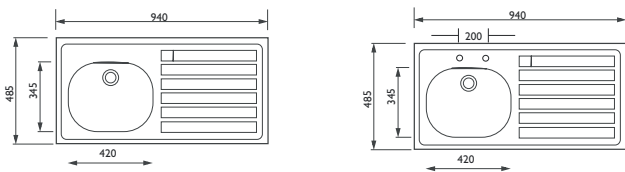
Code	Type	Size
SA303830	Small	380 x 300 x 180mm
SA304235	Medium	420 x 350 x 180mm
SA305638	Large	500 x 400 x 250mm
F2068	38mm flush grated waste	

Inset with drainer



This is the most popular bowl type and can be used with all worktop materials. Bowl size 420mm x 345mm x 180mm Deep. Standard bowl supplied with 200mm centre tap holes and standard waste kit.

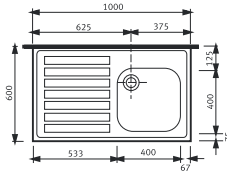
Code	Type	Tap holes
SA414411	LH Drainer	No
SA414412	RH Drainer	No
SA414421	LH Drainer	Yes
SA414422	RH Drainer	Yes
F2068	38mm flush grated waste	



Orderline: 020 8699 8993

HTM medical grade sinks

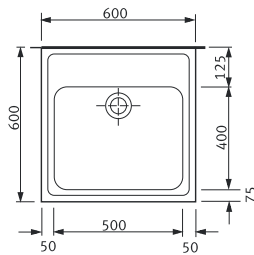
Lay-on sink bowl



Sink bowl with drainer suitable for mounting on 1000mm wide and 1200mm wide sink base cabinets, Stainless Steel support legs or Wall mounted brackets. Bowl size 400mm x 400mm x 200mm deep. Standard bowls supplied with 200mm centre tap holes. Sink top with 50mm rear upstand available if required at additional cost.

Code	Type	Size
SA22045LT	LH Drainer	1000 x 600mm
SA22045RT	RH Drainer	1000 x 600mm
SA524411	LH Drainer	1200 x 600mm
SA524412	RH Drainer	1200 x 600mm
SA26523	Brackets	580mm
SA26524	Front support legs	900 x 580mm
F2068	38mm flush grated waste	

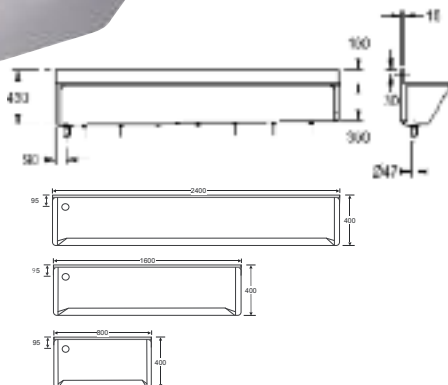
Single bowl sink



This type of bowl can be fitted to any flat wall area. Supplied with 200mm centre tap holes as standard. Bowl size 500 x 400 x 200mm deep.

Code	Type	Size
SA546621	SK1	600 x 600mm
SA26523	Brackets	580mm
F2068	38mm flush grated waste	

SUH scrub-up troughs



All models are available with a conventional waste outlet in the base of the trough for surface mounting. L or R after the code number refers to the handing of the waste outlet when facing the front of the trough.

Code	Type	Size
SA22029 L/R	Small	800mm Long
SA22030L/R	Medium	1600mm Long
SA22031 L/R	Large	2400mm Long

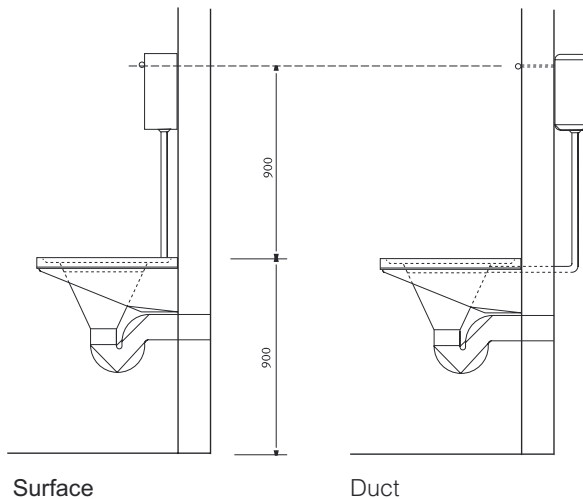
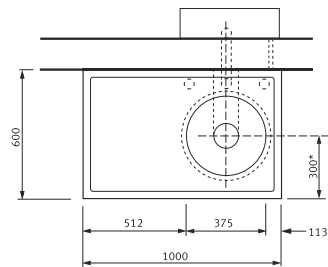
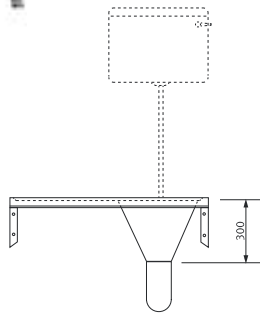


DUH hospital pattern disposal sink



Photograph shows front leg supports whereas the illustrations show cantilevered brackets fitted

* When a top central entry is supplied this dimension is 270mm



Surface

Duct

A DUH hospital disposal unit manufactured from 1.2mm thick, grade 1.4301 (304) stainless steel with a satin polish finish. The top is turned down on all four edges and incorporates a wet area recess. Fitted with a sluice hopper at one end which can be supplied with either top inlet or back inlet. The hopper has a 110mm dia. outlet which can accept a P or S trap, available as an extra.

Stainless steel cisterns are available with stainless steel downpipes for surface mounting installations. For installations where the cistern is duct mounted a plastic cistern with plastic downpipe is available. Plastic cisterns have a 9 litres capacity whereas the stainless steel cistern can be 6, 7 or 9 litre capacity and all are fitted with a 13mm HP brass valve, plastic float and CP metal flushing lever handles. The unit should only be fed from a cistern or tank water supply.

Unit can be mounted on either stainless steel cantilever brackets or stainless steel front leg supports. Front leg supports give a working height of 900mm and have adjustable feet which can be screwed to the floor for extra stability.

L or R after the code number refers to the handing of the drainer ie. left or right when facing front of unit

external: 1000x600x300mm sluice hopper: 375/110x300mm

SA22016L/R LH/RH drainer top 110mm outlet, back inlet for duct mounted cisterns

SA22025L/R LH/RH drainer top 110mm outlet, top inlet for surface mounted cisterns

! Required

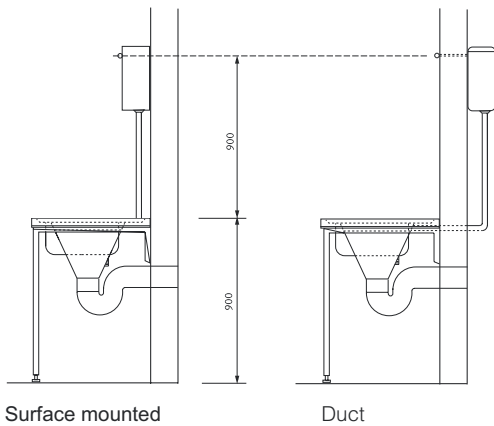
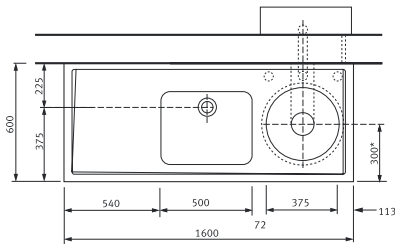
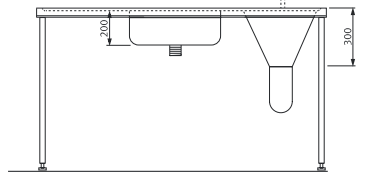
SUPPORT		SA26523 Stainless steel cantilever bracket pair	OR		SA26524 Stainless steel front leg support pair
	TRAP		B4042 White plastic P trap for hospital units	OR	
CISTERN			F3018 For a SA22016L/R 9 litre plastic cistern	OR	
	DOWNPIPE		B3022 Plastic downpipe	AND	

✓ Recommended

	SA26542N Stainless steel removable outlet grating 110mm
--	--

DUHS hospital disposal units

DUHS hospital pattern disposal sink



external: 1600x600x300mm, sluice hopper: 375/110x300mm
wash bowl: 500x400x200mm

SA22018L/R LH/RH drainer top 110mm outlet, back inlet for duct mounted cisterns

SA22018LT/RT LH/RH drainer 110mm outlet, back inlet for duct mounted cisterns with 2 tapholes at 200mm centres

SA22027L/R LH/RH drainer 110mm outlet, top inlet for surface mounted cisterns

SA22027LT/RT LH/RH drainer 110mm outlet, top inlet for surface mounted cisterns with 2 tapholes at 200mm centres

! Required

SUPPORT



SA26523
Stainless steel
cantilever
bracket pair

OR



SA26524
Stainless steel
front leg support
pair

TRAP



B4042 White
plastic P trap
for hospital
units **£26**

OR



B4052 110mm
Stainless steel
adjustable
P trap

OR



B4059 110mm
Stainless steel
adjustable
S trap

CISTERN



F3018 For a
SA22016L/R
9 litre plastic
cistern

OR



SA20605N For a
SA22025L/R
6, 7 & 9 litre
stainless steel
cistern

DOWNPIPE



B3022 Plastic
downpipe

AND



B4215 Stainless
steel downpipe

✓ Recommended



SA26542N
Stainless steel
removable outlet
grating 110mm

TO ORDER

HTM Compliant pillar mounted tap sets

SF404803



Marwik demountable pillar mixer tap (TB H2a) Single sequential lever. Detachable spout.

Code

SF404803

SF404815



Thermostatic mixer tap suitable for single hole wash hand basins.

Code

SF404815

SF107444



Single lever operated tap sets

Code

SF107444 3" levers

SF107445 6" levers

Orderline: 020 8699 8993

Stirling[®]
MEDICAL and SCIENTIFIC

 **IN STOCK**

SF424243



Markwik Demountable thermostatic clinical mixer tap (TB H2a) Single sequential lever operation. Detachable spout.

Code

SF424682

SF454230



Horne Optitherm Tap with Dual levers. 170mm, 200mm and 230mm projection.

Code

SF454230 TBT1-230DL

SF454200 TBT1-200DL

SF454170 TBT1-170DL

SF270336



Markwik bib taps. Single wall mounted taps supplied with 1/2" wall mounts for concealed plumbing.

Code

SF270336

S8347



100mm Bib tap extensions.

Code

S8347

 **IN STOCK**