



Setting the standards for
specialist clinical areas

Drugs and medicine storage

Drugs and medicines are at the core of every healthcare institution involved in patient care and the correct storage of these products is very important.

The Home office, the Department of Health and the Devolved Administrations issue guidance on security measures that should be considered for premises that are licenced in connection with the possession and supply of controlled drugs. Hospital Trusts and Private Healthcare providers also have their own policies and procedures. The British Standard BS2881 and The Misuse of Drugs (Safe Custody) 1973 Regulations provide a general overview of requirements, some of which are outlined on the following page with multiple factors to take into account.

Regulations also state that all locks should be of such design that the key cannot be removed unless the mechanism is in the locked position. All doors should be of such design that they cannot be left unlocked while appearing to be closed.



BS2881

BS2881 has to do with the standards that a drugs cabinet is designed to resist in an attack. There are three levels within the standard, with BS2881 Level 1 being the minimum standard required for the storage of medicines. The cabinet does not have to be constructed from metal in order to comply with Level 1 standards. Systeméd wood-based drugs cabinets fitted with the Barrd® through-bolt locking system have been independently tested to comply with BS2881 Level 1.

BS1881 states that it is important to recognise that compliance with security standards is not just to do with the construction of the cabinet itself, it also includes the fixings used, wall construction, staffing and safety procedures as following quote:

“Although the cupboard covered by this British Standard are of robust construction and are fitted with thief-resistant locking mechanisms, the prevention of unauthorised access to the contents depends also on the security of the fixing of the cupboard, the level of surveillance in the premises in which it is installed (which includes the presence of alarm systems) and the institution and maintenance of appropriate procedures for personnel who will have right of access.

A secure cupboard is of no avail if the key is indiscriminately available, if correct records are not kept, if it is possible to attempt forcible entry at leisure, or if it is easy to remove the unopened cupboard in order to gain entry later. The exact nature of the practices and precautions to be adopted depends upon the local circumstances...”

The cabinets used for the storage of Category A, B and C controlled drugs need to provide greater resistance to attack and the minimum standard for this is BS2881 level 2.

For Security Levels 2 and 3, the British Standard regulation recommends a fixing directly into a solid masonry or concrete wall or as stated, if this is not possible: **“The cabinet should be fixed by passing bolts through the wall. All nuts should be located within the cupboard and the bolts should be continuously welded at their heads to a steel plate of at least 3mm thickness and of a size not less than that of the back face of the cupboard. If the wall is of a partition type the plates should be positioned to include as many internal studs as possible between the bolts.”**

Please see page 11 for more information.

The Misuse of Drugs (Safe Custody) Regulations 1973

The Misuse of Drugs Regulations 1973 also has to do with the storage of controlled drugs and specifies details as to the construction of the storage cabinet and room details.

The regulations state that **“Nothing shall be displayed outside a safe or cabinet to indicate that drugs are kept inside it.”**

In view of this we normally recommend that the controlled drugs safe is located within an outer Level 1 storage cabinet which looks very similar to the adjoining ones in the room (See page 9). Additional security features like RFID locking for tracking and recording access or remote cameras are available. Please enquire for more details.

Systeméd cabinets prefixed with the 'DR' code comply with different storage of drugs regulations. The DR06 range of cabinets are of metal construction and designed for the storage of controlled drugs.

Barrd® Intelligent Security

Systeméd drugs cabinets are fitted with the Barrd® through bolt lock plate so as to ensure that the lock body is securely fixed right through the cabinet door and not just into the door panel.

Hinge fixing screws are also through bolted making it a lot more difficult for the cabinet door to be levered off as required for BS2881 Level 1. Each drug cabinet is fixed with 3-point locking for increased security.

The Barrd® locking system means that cabinets do not have to be constructed from metal, helping save on cabinet costs and allowing for HTM71 dense storage modules to be used for greater space efficiency.



This particular cabinet includes a Swing-Glide® drawer to the bottom which can be very useful for the storage of small items and therefore keeping things off the worktop and helping with infection prevention procedures.

Drugs cabinets

Systeméd drugs cabinets are supplied with profiled inner shelves and rear door storage (on hinged door options).

The profiled shelf design helps ensure that the medicines are not hidden away at the back of the shelf but kept in full view and easily accessible.

The rear door storage area takes up the space when the cabinet door is shut. Not applicable to Controlled Drugs cabinets.



Systeméd medicine cabinets

Large capacity tall cabinets



Wall mounted cabinets



Bench mounted cabinet



Base cabinet



The DR06 Systeméd controlled drugs safes shown on page 10 are designed to fit neatly inside all of these cabinets and be hidden from view when the outer cabinet doors are closed.

Anaesthetic rooms

Hospital Theatre Anaesthetic rooms are normally in well-staffed secure areas behind locked doors. Users often like cabinets to have glass doors or tambour doors so that drugs and stock levels are easier to see.



DR10 wall mounted cabinet

The DR10 style cabinet is supplied with sliding glass doors which can be favoured by some hospital staff because a hinged door can get in the way when open.

These cabinets come in 910mm and 1000mm widths. The 910mm wide unit can be supplied with swing glide under unit drawers which are designed to help keep stock organised and worktops clear of clutter which helps with cleaning requirements.



DR40 smooth tambour door cabinet

The DR40 Style smooth tambour door cabinets have been specifically developed for the hospital Theatre. These cabinets provide very efficient storage with adjustable glass shelves and wipe clean tambour door finish free of slots that tambour doors will normally have.

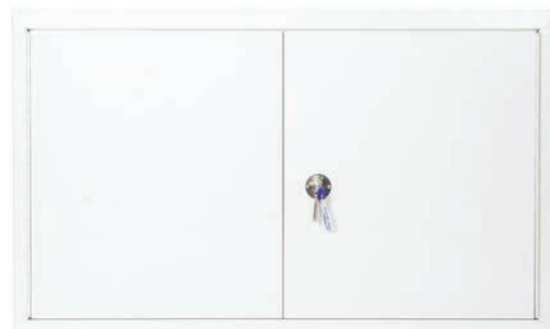
Bench mounted cabinets are 910mm wide x 350mm deep and work well over a 700mm deep worktop as shown in the photo.



White powder coated metal medicine cabinets

Traditional style metal wall mounted medicine cabinets are available in two heights and three widths and in white powder coated finish. Cabinets include 3 No adjustable shelves as standard.

1000mm wide cabinets with double doors



600mm high – MED103060



900mm high – MED103090

Single door version



Available in two heights as above and 500mm and 600mm widths. Right-hand and left-hand variants available.

600mm (h) x 500mm (w) – MED503060

600mm (h) x 600mm (w) – MED603060

900mm (h) x 500mm (w) – MED503090

900mm (h) x 600mm (w) – MED603090

Option for small controlled drugs inner safe (see opposite page).

Sloping tops



As part of infection prevention plans, cabinets can be supplied with sloping tops to stop items being stored on top of the cabinet and help keep clear of dust.



Controlled drugs safes

The Misuse of Drugs (Safe Custody) Regulations 1973 states that “Nothing shall be displaced outside a safe or cabinet to indicate that drugs are kept inside it.”

These photos show an example of this, where the controlled drugs safe is contained inside a matching wall cabinet.

The drugs safe itself contains an electrical contact switch that can be connected to a remote alarm (eg. over the entrance doorway or on a nurse base) to indicate when the safe is open.



Systemed controlled drugs safes

White powder-coated safes, manufactured from 2mm thick steel, designed to meet and exceed the requirements of the 'Misuse of Drugs' (Safe Custody) Regulations 1973 and BS2881: 1989 Level 2.

Safes are supplied with a heavy-duty 7 lever lock (5000 combinations), a non-mastered key, 18mm bolt throw and a door operated electrical switch for wiring to a remote alarm system. Small and medium safes come with one internal shelf and the large safe with two internal shelves. All safes are supplied with a right-hand hinged door as standard.

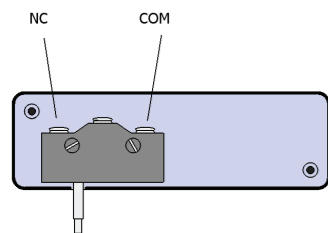
Controlled drugs cabinets can be supplied with an external warning light if required. Please note however that regulations state that 'nothing shall be displayed outside a safe or cabinet to indicate that drugs are kept inside it' (Misuse of Drugs (Safe Custody) Regulation 1973).

Controlled drugs safes should be positioned so that they can be bolted to a wall of solid construction. Where this is not possible the safe must be bolted through the wall to a welded plate to embrace as many studs as possible.

Please refer to the recommendations and safe fixing points on the opposite page.



DR06



Door activated micro switch (volt free). Use 'common' and 'normally closed' terminals to connect to remote alarm, etc.

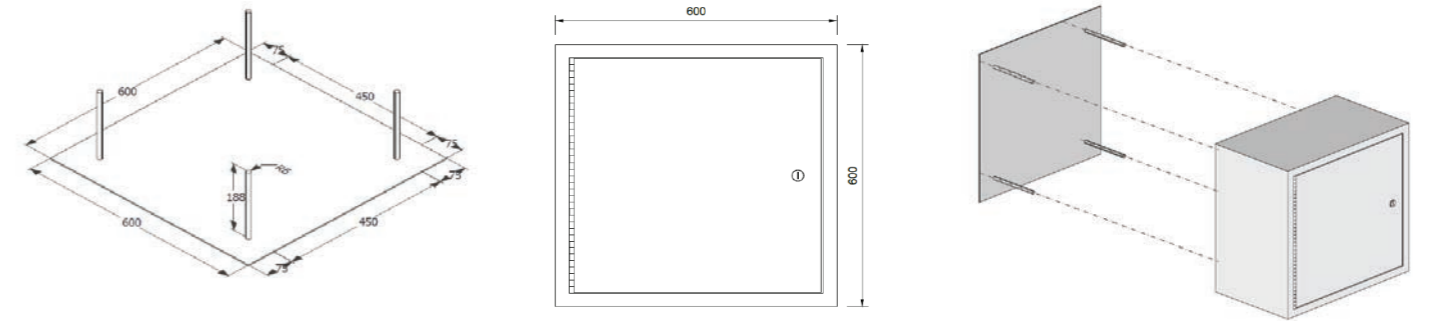


CD safe micro switch box

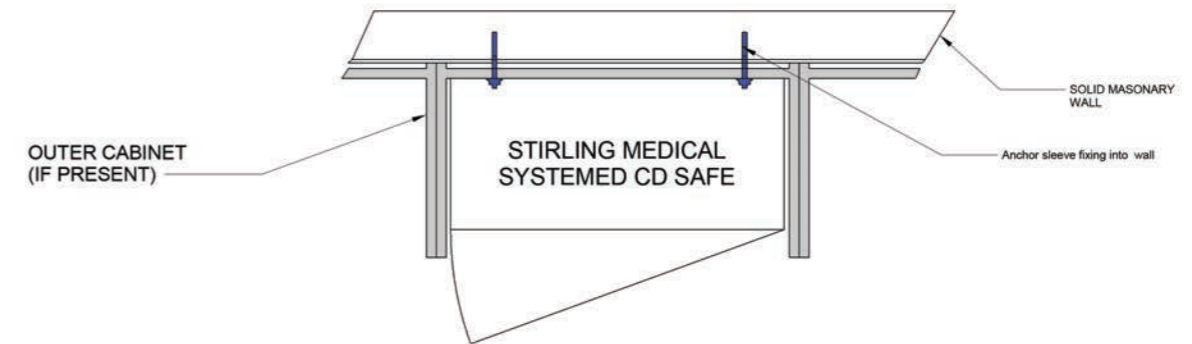
Controlled drugs safes – safe fixing methods

Barrd Wall Plate

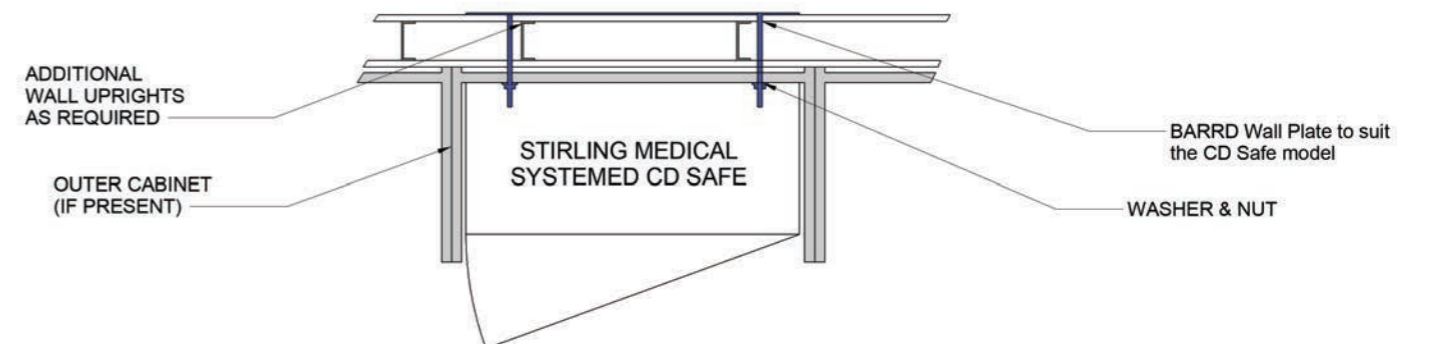
3mm thick steel back-plate complete with four M10 x 190mm threaded studs fully welded to plate at 450mm c-c.



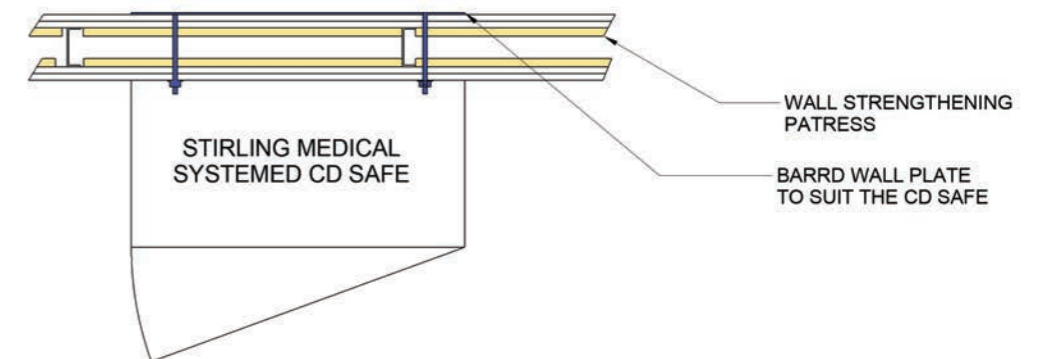
Solid Masonry Wall



Single Plasterboard Stud Wall (no Patress)



Double Plasterboard Wall (with Patress)





Stirling[®]

MEDICAL and SCIENTIFIC

London

Unit 3 Crayside, Five Arches Business Estate, Maidstone Road, Sidcup, Kent DA14 5AG

☎ 020 8699 8993

North

Unit 3, Estate Road 8, South Humberside Industrial Estate, N.E. Lincs DN31 2TG

☎ 01472 267 895

🌐 www.stirlingmedical.co.uk

✉ enquiries@stirlingmedical.co.uk

 **systeméd**[®]
MODULAR STORAGE

 **esplan**[™]
PHARMACY

 **virseal**[™]
IPS & MEDICAL WALLING

Stirling Medical & Scientific Ltd. 2020. Systeméd, Esplan and Virseal are registered trademarks and remain the exclusive right of Stirling Medical & Scientific Ltd. No use of these brands or images in this book are entered into without the express written permission of Stirling Medical & Scientific Ltd.

Due to lighting conditions and the reprographic process, there may be some slight difference in colouration of the actual products in the photographs. As part of our programme of continuous improvement, Stirling Medical & Scientific Ltd. reserve the right to change and update products without prior notice.