

Controlled Drugs Safes



White powder coated safes manufactured from 2mm thick steel. Safes are supplied complete with one internal shelf and electrical switch for wiring to remote alarm system. Large safe supplied with two internal shelves. All safes are supplied with a right-hand hinged door as standard.

Product Codes

Small:	DR064212	(WDH: 400 x 250 x 350mm)
Medium Wide:	DR066212	(WDH: 600 x 250 x 350mm)
Medium Tall:	DR065212	(WDH: 400 x 250 x 600mm)
Large:	DR066312	(WDH: 600 x 300 x 600mm)



CD safe micro switch box

Standards

Designed to meet and exceed the requirements of the 'Misuse of Drugs' (Safe Custody) Regulations 1973 and BS2881: 1989 Level 2.

Locking

Heavy duty 7 lever lock with 5000 combinations and non-mastered key. 18mm bolt throw.

Electrical

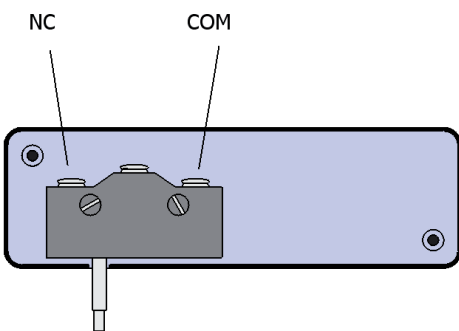
Door operated switch for connection to remote alarm.

External Lighting

Controlled drugs cabinets can be supplied with an external warning light if required. Please note however that regulations state that 'nothing shall be displayed outside a safe or cabinet to indicate that drugs are kept inside it' (Misuse of Drugs (Safe Custody) Regulation 1973).

Fixing

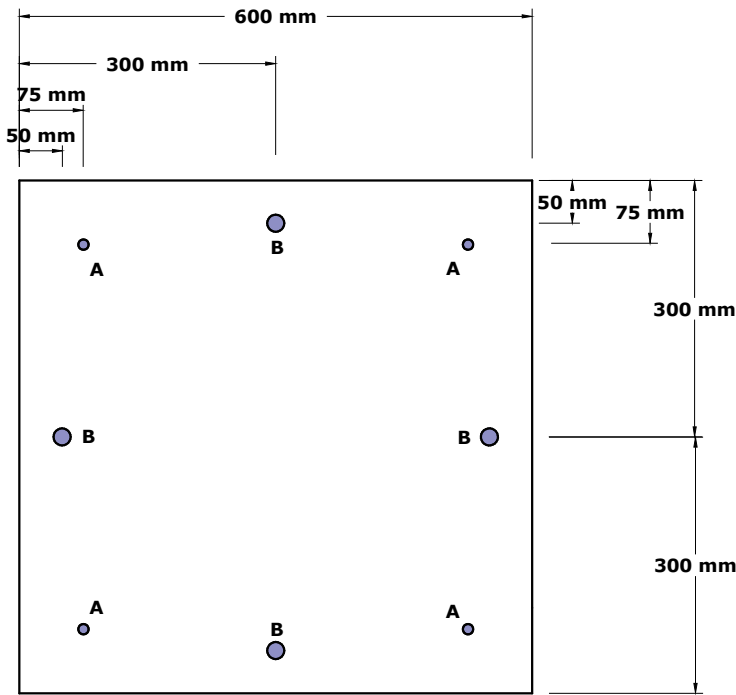
Controlled drugs safes should be positioned so that they can be bolted to a wall of solid construction. Where this is not possible the safe must be bolted through the wall to a welded plate to embrace as many studs as possible (see overleaf for safe fixing points).



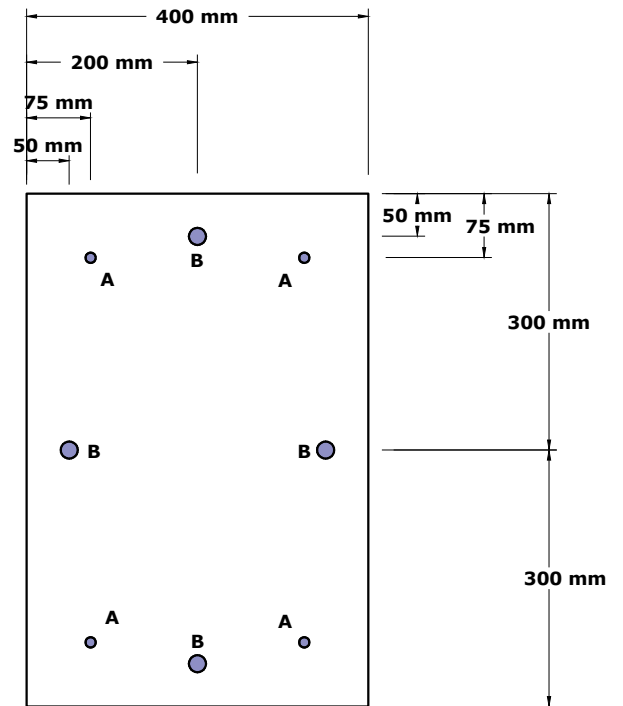
Door activated micro switch (volt free). Use 'common' and 'normally closed' terminals to connect to remote alarm, etc.

Controlled Drugs Safes – Safe Fixing Points

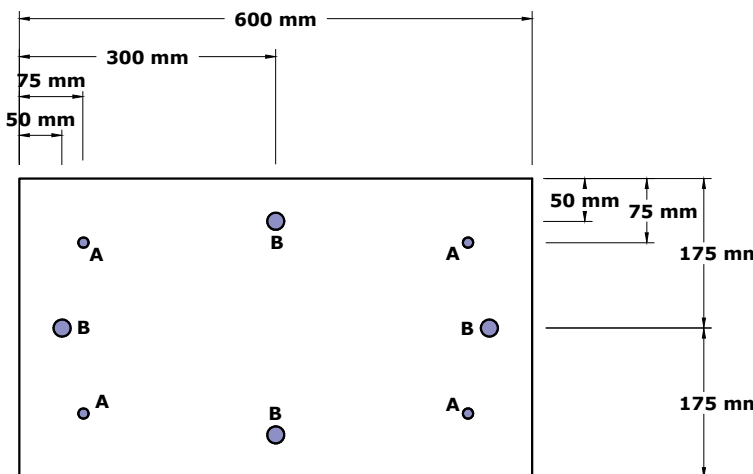
Large



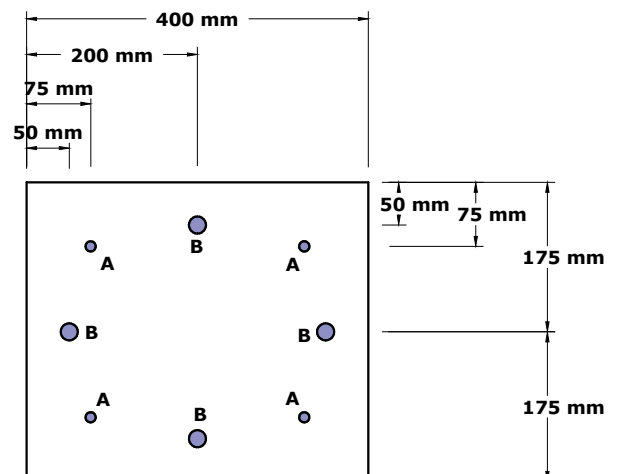
Medium Tall



Medium Wide



Small



A: x4 12mm dia. anchor bolt holes

B: Recommended position of 20mm dia. hole for cable entry.